



RFQ FORM
Injection vial



Customer _____ Capacity [ml] _____

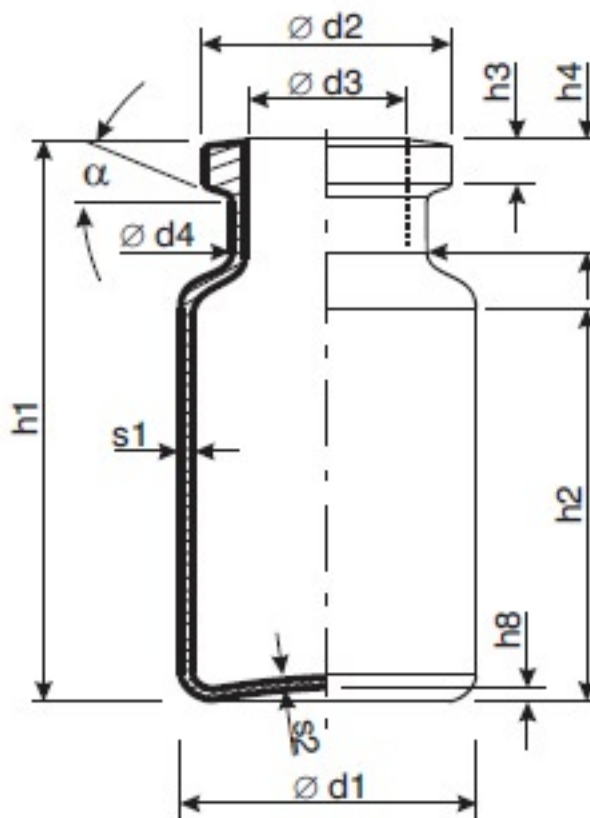
Glass type Clear Amber Printed Unprinted

Blow Back NO YES (European Style) YES (US Style)

External sil. YES NO Internal treatment NA SIL SULPH

Dimensions [mm]

	min	max
d1		
d2		
d3		
d4		
h1		
h2		
h3		
h4		
h8		
s1		
s2		
α		



Packaging

Trays

- Material: carton plastic
- Type: only bottom bottom + top
- Closure method: shrink wrapped gummed paper adhesive tape

Pallet

- Material: wood plastic aluminum
- Type: EUR EUR EPAL EUR EPAL ISPM-15
- Dimension: 80x120 cm 100x120 cm other
- Height max: 105 cm 115 cm other

Transportation

- Type: truck container
- Double stacking allowed: YES NO

Date _____