



**RFQ FORM**  
Tablet containers vial



Customer

Capacity [ml]

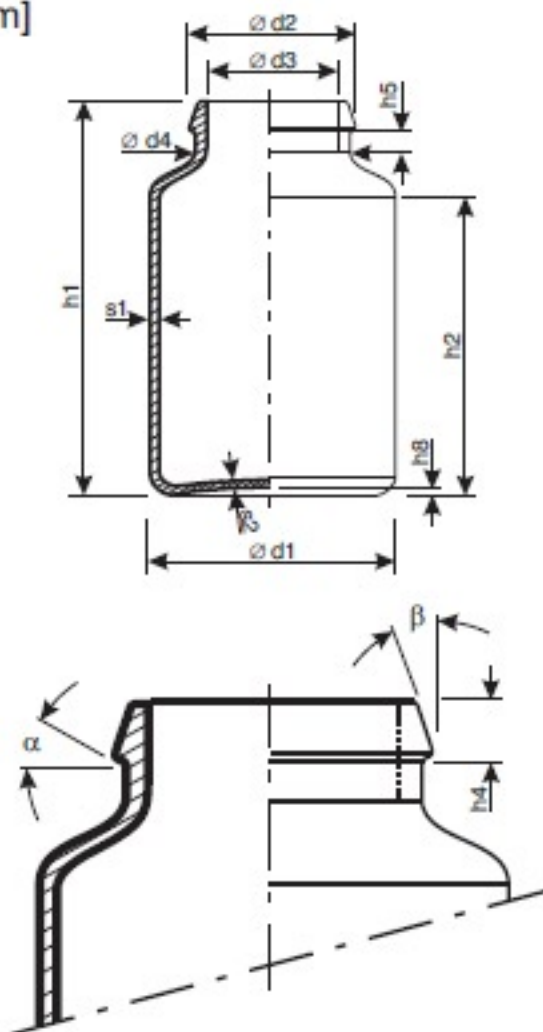
 Glass type ..... Clear  Amber  Printed  Unprinted 

 Blow Back NO  YES (European Style)  YES (US Style) 

 External sil. YES  NO  Internal treatment NA  SIL  SULPH 

**Dimensions [mm]**

	min	max
d1		
d2		
d3		
d4		
h1		
h2		
h4		
h5		
h8		
s1		
s2		
$\alpha$		
$\beta$		



**Trays**

- |                   |   |  |
|-------------------|---|--|
| - Material:       | carton <input type="checkbox"/>         | plastic <input type="checkbox"/>   |
| - Type:           | only bottom <input type="checkbox"/>    | bottom + top <input type="checkbox"/>  |
| - Closure method: | shrink wrapped <input type="checkbox"/> | gummed paper <input type="checkbox"/> adhesive tape <input type="checkbox"/> |

**Packaging**

**Pallet**

- |               |                                    |                                     |   |
|---------------|------------------------------------|-------------------------------------|---|
| - Material:   | wood <input type="checkbox"/>      | plastic <input type="checkbox"/>    | aluminum <input type="checkbox"/>         |
| - Type:       | EUR <input type="checkbox"/>       | EUR EPAL <input type="checkbox"/>   | EUR EPAL ISPM-15 <input type="checkbox"/> |
| - Dimension:  | 80x120 cm <input type="checkbox"/> | 100x120 cm <input type="checkbox"/> | other ..... <input type="checkbox"/>      |
| - Height max: | 105 cm <input type="checkbox"/>    | 115 cm <input type="checkbox"/>     | other ..... <input type="checkbox"/>      |

**Transportation**

- |                            |                                |                                    |
|----------------------------|--------------------------------|------------------------------------|
| - Type:                    | truck <input type="checkbox"/> | container <input type="checkbox"/> |
| - Double stacking allowed: | YES <input type="checkbox"/>   | NO <input type="checkbox"/>        |

Date